

ABRAZADERA SUPER

HEAVY DUTY HOSE CLAMP
 COLLIERES À TOURILLONS
 GELENKBOLZENSCHLENNEN



CAJA / BOX / BOÎTE

CÓDIGO	CÓDIGO	CÓDIGO	CÓDIGO	MEDIDA	ANCHO W1 / W2 / W4 / W5	W1 / W2 / W4 / W5	TORNILLO	
Code / Code	Code / Code	Code / Code	Code / Code	Measure / Mesure	Width / Largeur		Screw / Vis	
W1	W2	W4	W5	Ø max. - Ø min	B	C	MxL	
W1	W2	W4	W5	m.m.	m.m.	m.m.	m.m.	
ABS118017	ABS218017	ABS418017	ABS518017	17-19	18	0,6	5x35	100
ABS118020	ABS218020	ABS418020	ABS518020	20-22	18	0,6	5x35	100
ABS118023	ABS218023	ABS418023	ABS518023	23-25	18	0,6	5x35	100
ABS118026	ABS218026	ABS418026	ABS518026	26-28	18	0,6	5x35	100
ABS118029	ABS220029	ABS418029	ABS518029	29-31	18 / 20 / 18 / 18	0,6	5x35	100
ABS120032	ABS220032	ABS420032	ABS520032	32-35	20	1,0/6/1/1	6x50	100
ABS120036	ABS220036	ABS420036	ABS520036	36-39	20	1,0/6/1/1	6x50	90
ABS120040	ABS220040	ABS420040	ABS520040	40-43	20	1,0/6/1/1	6x50	75
ABS120044	ABS220044	ABS420044	ABS520044	44-47	20	1,0/8/1/1	6x50	70
ABS120048	ABS220048	ABS420048	ABS520048	48-51	20	1,0/8/1/1	6x50	60
ABS120052	ABS220052	ABS420052	ABS520052	52-55	20	1,0/8/1/1	6x50	60
ABS120056	ABS220056	ABS420056	ABS520056	56-59	20	1,0/8/1/1	6x55	50
ABS120060	ABS220060	ABS420060	ABS520060	60-63	20	1,2/0,8/1/1	6x55	40
ABS125064	ABS220064	ABS425064	ABS525064	64-67	25 / 20 / 25 / 25	1,5/0,8/1,2/1,2	8x70	60
ABS125068	ABS225068	ABS425068	ABS525068	68-73	25	1,5/0,8/1,2/1,2	8x70	52
ABS125074	ABS225074	ABS425074	ABS525074	74-79	25	1,5/0,8/1,2/1,2	8x70	48
ABS125080	ABS225080	ABS425080	ABS525080	80-85	25	1,5/0,8/1,2/1,2	8x70	44
ABS125086	ABS225086	ABS425086	ABS525086	86-91	25	1,5/0,8/1,2/1,2	8x70	36
ABS125092	ABS225092	ABS425092	ABS525092	92-97	25	1,5/0,8/1,2/1,2	8x70	32
ABS125098	ABS225098	ABS425098	ABS525098	98-103	25	1,5/0,8/1,2/1,2	8x80	24
ABS125104	ABS225104	ABS425104	ABS525104	104-112	25	1,5/0,8/1,2/1,2	8x80	24
ABS125113	ABS225113	ABS425113	ABS525113	113-121	25	1,5/0,8/1,2/1,2	8x80	20
ABS125122	ABS225122	ABS425122	ABS525122	122-130	25	1,5/0,8/1,2/1,2	8x80	16
ABS125131	ABS225131	ABS425131	ABS525131	131-139	25	1,5/1/1,2/1,2	8x90 / W2: M10x85	16
ABS125140	ABS225140	ABS425140	ABS525140	140-148	25	1,5/1/1,2/1,2	8x90 / W2: M10x85	12
ABS125149	ABS225149	ABS425149	ABS525149	149-161	25	1,8/1/1,5/1,5	8x90 / W2: M10x85	8
ABS125162	ABS225162	ABS425162	ABS525162	162-174	25	1,8/1/1,5/1,5	8x90 / W2: M10x85	8
ABS125175	ABS225175	ABS425175	ABS525175	175-187	25	1,8/1/1,5/1,5	8x90 / W2: M10x100	8
ABS125188	ABS225188	ABS425188	ABS525188	188-200	25	1,8/1/1,5/1,5	8x90 / W2: M10x100	8
ABS125201	ABS225201	ABS425201	ABS525201	201-213	25	1,8/1/1,5/1,5	8x90 / W2: M10x100	5
ABS125214	ABS225214	ABS425214	ABS525214	214-226	25	1,8/1/1,5/1,5	8x90 / W2: M10x100	5
ABS125227	ABS225227	ABS425227	ABS525227	227-239	25	1,8/1/1,5/1,5	8x90 / W2: M10x100	5

RESISTENCIA REC. / REC. STRENGTH - (Nm)

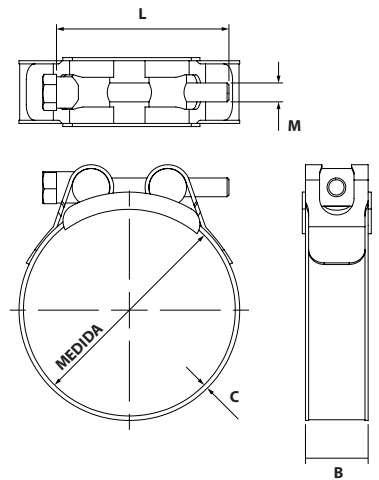
	18mm	20mm	25mm
W1	5,5	8	20
W2	5,5	8	20
W4	8	10	20
W5	8	10	20

CARACTERÍSTICAS Y VENTAJAS

- Abrazadera para la unión de mangueras y tubos con altas presiones.
- Bordes biselados para evitar daños en el tubo.
- Recomendado para uso industrial y agrícola (transporte de fluidos).
- Apriete con tuerca hexagonal.

CHARACTERISTICS AND ADVANTAGES

- Clamp for joining hoses and pipes with high pressures.
- Bevelled edges to avoid damage to the tube.
- Recommended for industrial and agricultural use (transport of fluids).
- Tighten with hexagonal nut



CÓDIGO DE CALIDAD DEL MATERIAL UTILIZADO / QUALITY CODE OF THE MATERIAL USED

W1	- Totalmente en acero cincado / Fully zinc plated steel
W2	- Cinta y cabeza en acero inoxidable A-2 y tornillo en acero cincado / Band & head in stainless steel AISI 304 with zinc plated screw
W4	- Totalmente en acero inoxidable A-2 / Fully stainless steel AISI 304
W5	- Totalmente en acero inoxidable A-4 / Fully stainless steel AISI 316